



AALTO SALES



1.462,00 €

SKU: LAACIC1600Co-1

Brand: RivaViva

Boiserie Riva srl
00199 Roma - Via Nemorense 37/c
Tel. +39068845 253- P.IVA e C.F 05 229581003
info@riva.it - <https://www.riva.it>

Showroom
20159 Milano - Via L. Porro Lambertenghi 18
Tel. +39026883199
milano@riva.it

Showroom
00199 Roma - Via Nemorense 37/c
Tel. +39068845 253
roma@riva.it



GALLERY IMAGES



Aalto is an **ecological bed** with a **simple and essential design** from the RivaViva collection. It is assembled without the use of metal parts. Its characteristic feature is the interlocking that is formed on the four corners. RivaViva uses only **solid wood** from **controlled cultivation**, whose processing and finishing stages are marked by total respect for the environment, and chooses only **100% natural fabrics and upholstery**.

In the 180x200 size, two go tatami mats must be purchased.

The **RivaViva** brand offers a line of **natural and environmentally sustainable furniture**. Each product is made of **solid wood with a beeswax finish**, using only **non-toxic** and environmentally friendly raw **materials**. A **passion for design** and extreme attention to the **use of wood and natural waxes** are the core values of the RivaViva brand.

Boiserie Riva srl

00199 Roma - Via Nemorense 37/c
Tel. +39068845 253- P.IVA e C.F 05 229581003
info@riva.it - <https://www.riva.it>

Showroom

20159 Milano - Via L. Porro Lambertenghi 18
Tel. +39026883199
milano@riva.it

Showroom

00199 Roma - Via Nemorense 37/c
Tel. +39068845 253
roma@riva.it



ADDITIONAL INFORMATION

| | |
|---------------------------------|------------|
| Essenza | Wax beech |
| Dimensioni esterne letto | 194x221x25 |
| Dimensioni materasso | 180x200 |

Boiserie Riva srl
00199 Roma - Via Nimorense 37/c
Tel. +39068845 253- P.IVA e C.F 05 229581003
info@riva.it - <https://www.riva.it>

Showroom
20159 Milano - Via L. Porro Lambertenghi 18
Tel. +39026883199
milano@riva.it

Showroom
00199 Roma - Via Nimorense 37/c
Tel. +39068845 253
roma@riva.it



THE PRIMARY PRINCIPLE

Boiserie Riva S.r.l pays the utmost attention to people's well-being and safety, offering furnishings in perfect balance between a culture of personal health and an eco-sustainable philosophy.

HEALTH AND SAFETY MORE THAN NATURAL Riva controls the total of the production process: planning and design, selection and purchase of timbers, craftsmanship and finishing. Every detail is entrusted to expert hands treasure experience dating back to the 1920s, handed down and updated, divorced from traditional industrial processes.

RIVA: HOW IT OPERATES

- Boiserie Riva S.r.l uses only solid wood from controlled cultivation, whose processing and finishing stages are marked by total respect for the environment, and chooses only 100% natural fabrics and padding.
- Boiserie Riva S.r.l adheres to Federmobili's Code of Ethics.
- Boiserie Riva S.r.l pays special attention to Corporate Social Responsibility.

RIVA: AWARDS

- Boiserie Riva S.r.l joins the Vero Legno Consortium, a trademark registered in all countries of the European Union, guaranteeing and authenticity of wood products, protecting the consumer.
- Boiserie Riva S.r.l in 2010, thanks to its commitment to research and production of eco-sustainable furniture, became Legambiente Point. Each month Legambiente sponsors a RivaViva product.
- Cristina Riva joins Federmobili's Leader Group as a national adviser.
- Boiserie Riva S.r.l is a partner of the Best Up Circuit, for the promotion of sustainable living.
- Boiserie Riva S.r.l in June 2017 received the Interior Architecture Award as part of the Rome Architecture Award of the Order of Architects of Lazio with the house "Doubling Home."
- Boiserie Riva S.r.l complies with the requirements of ISO 9001:2015, ISO 14001:2015, ISO 45001:2018



Boiserie Riva srl
00199 Roma - Via Nemorense 37/c
Tel. +39068845 253- P.IVA e C.F 05 229581003
info@riva.it - <https://www.riva.it>

Showroom
20159 Milano - Via L. Porro Lambertenghi 18
Tel. +39026883199
milano@riva.it

Showroom
00199 Roma - Via Nemorense 37/c
Tel. +39068845 253
roma@riva.it

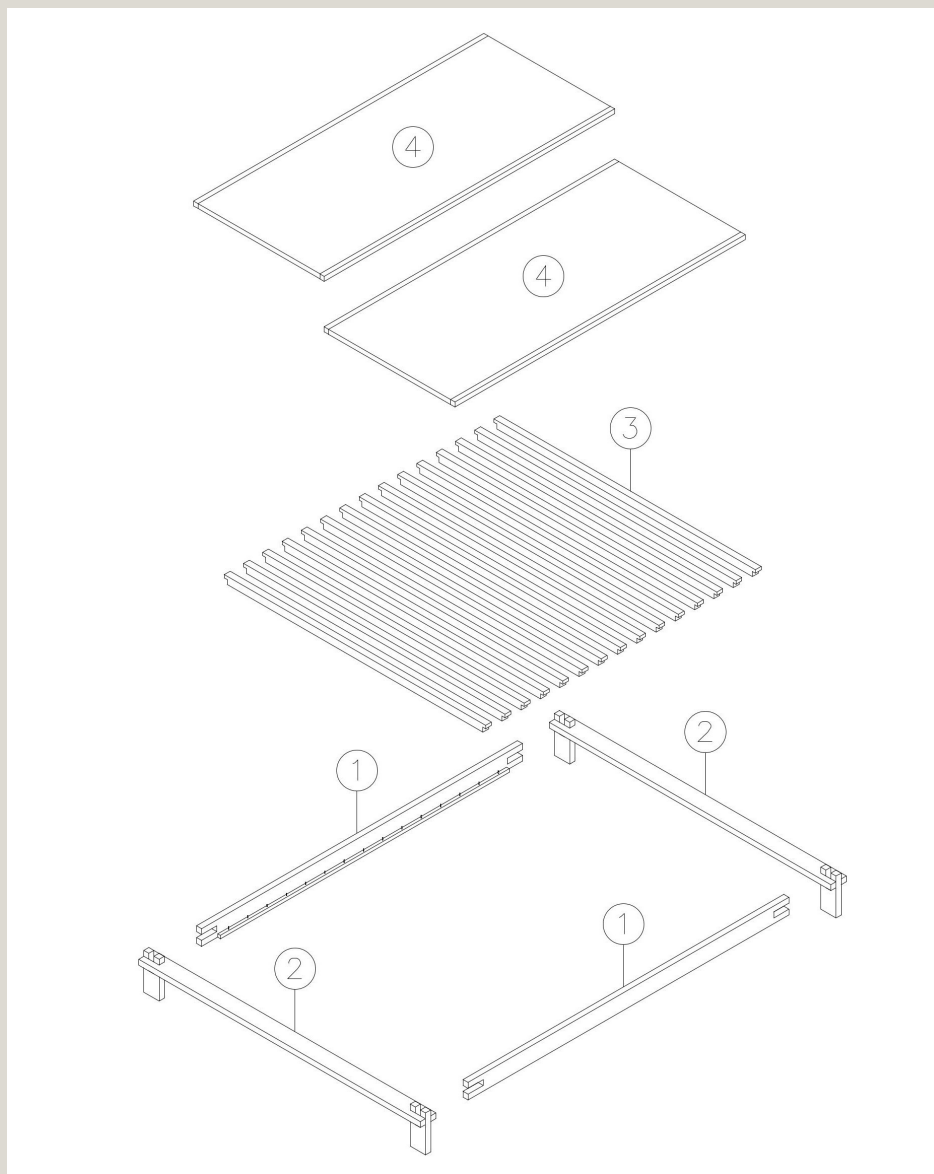
Scheda di montaggio Letto Aalto

UTENSILI NECESSARI PER IL MONTAGGIO:

Martello di gomma

ELEMENTI:

- 1 : n.2 Guide laterali
- 2 : n.2 Fasce orizzontali di pediera e testata
- 3 : n.15 Traverse orizzontali
- 4 : n.2 Tatami



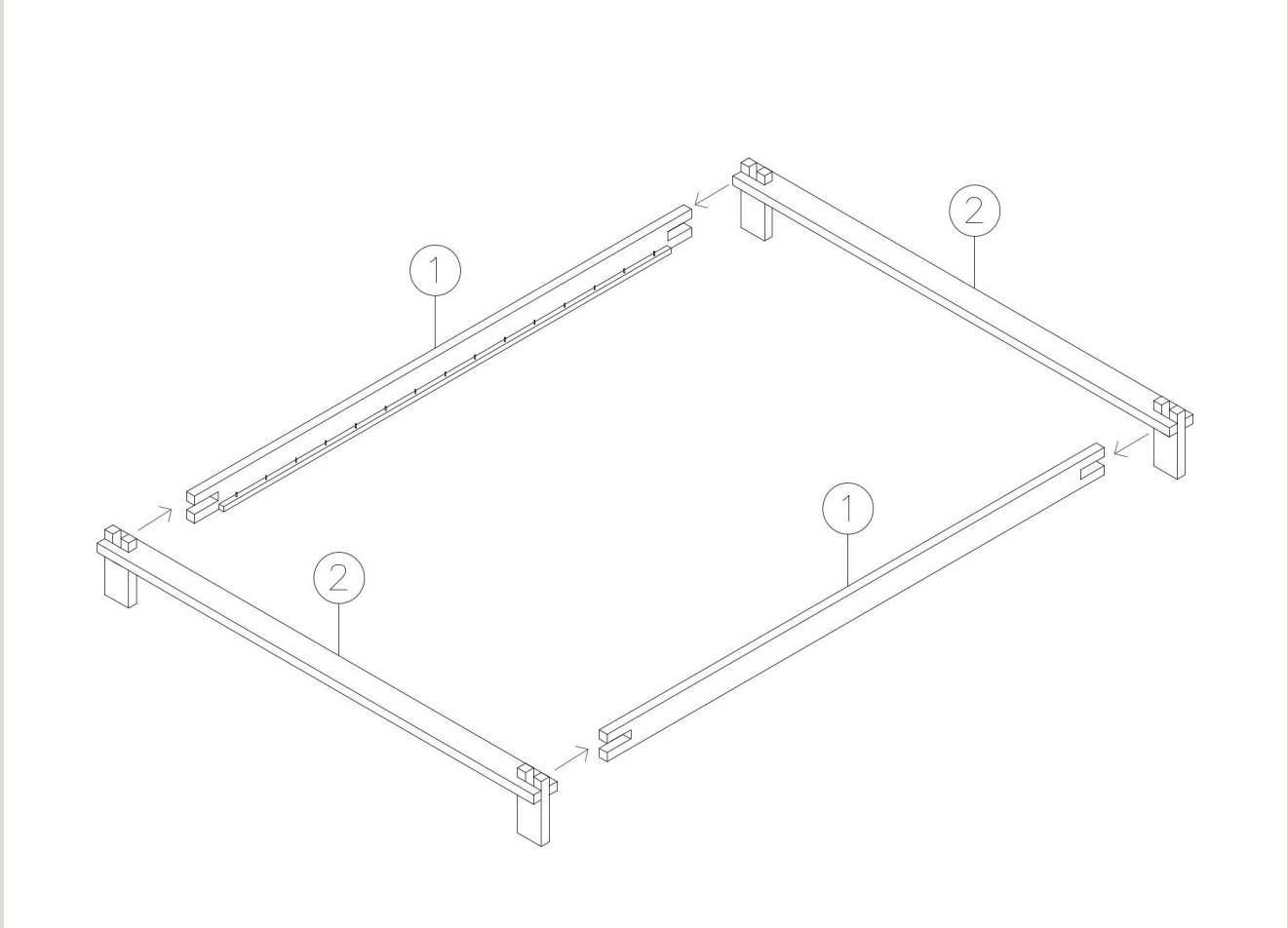
Boiserie Riva srl
00199 Roma - Via Nemorense 37/c
Tel. +39068845 253- P.IVA e C.F 05 229581003
info@riva.it - <https://www.riva.it>

Showroom
20159 Milano - Via L. Porro Lambertenghi 18
Tel. +39026883199
milano@riva.it

Showroom
00199 Roma - Via Nemorense 37/c
Tel. +39068845 253
roma@riva.it

ISTRUZIONI PER IL MONTAGGIO:

Fase 1: Unire le fasce orizzontali di pediera e testata (2) inserendole nell'incastro delle guide laterali (1) battendo con il martello di gomma

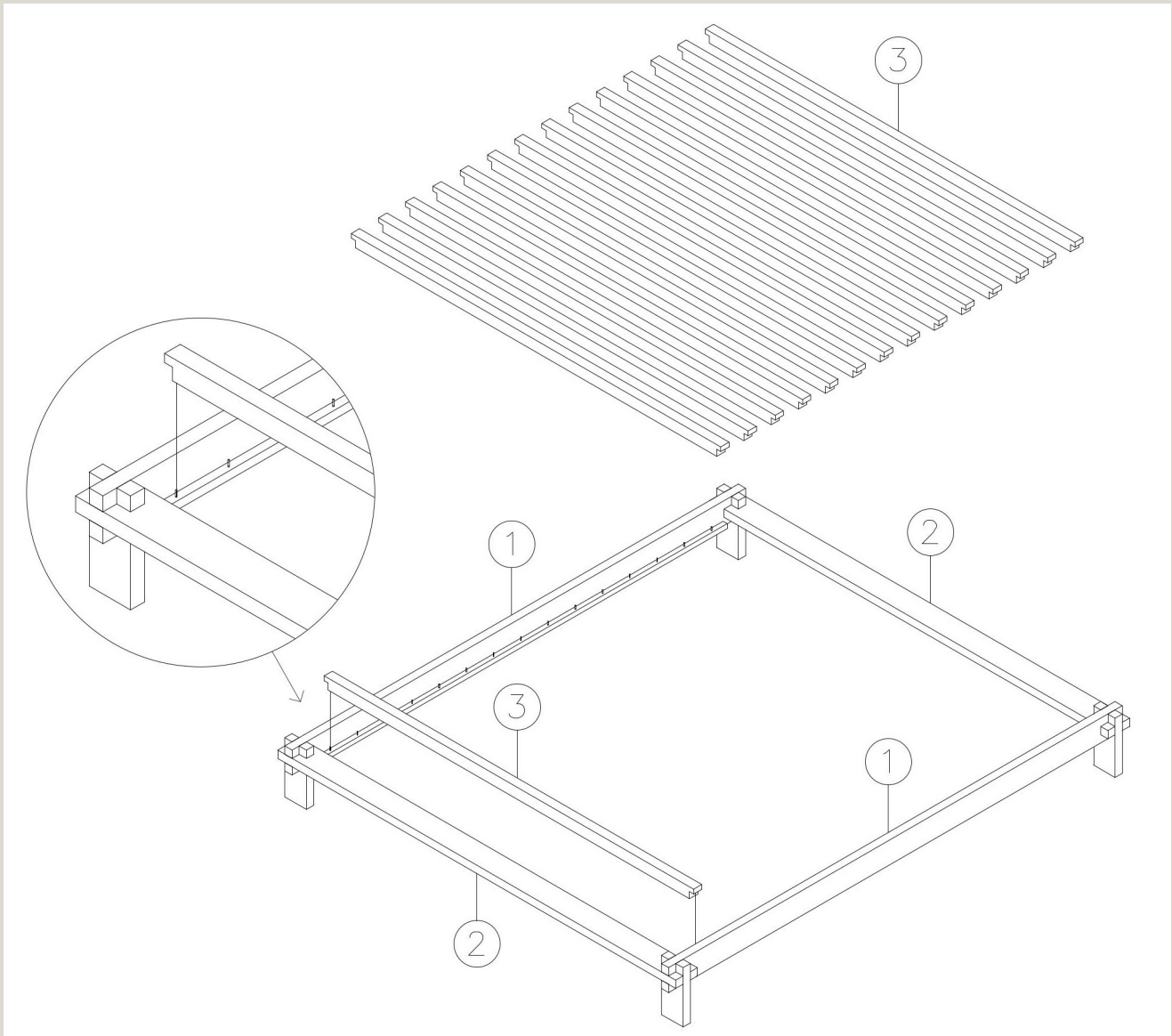


Boiserie Riva srl
00199 Roma - Via Nemoense 37/c
Tel. +39068845 253- P.IVA e C.F 05 229581003
info@riva.it - <https://www.riva.it>

Showroom
20159 Milano - Via L. Porro Lambertenghi 18
Tel. +39026883199
milano@riva.it

Showroom
00199 Roma - Via Nemoense 37/c
Tel. +39068845 253
roma@riva.it

Fase 2: Inserire le traverse orizzontali (3) nelle spine di legno sporgenti dal listello interno delle guide laterali (1)

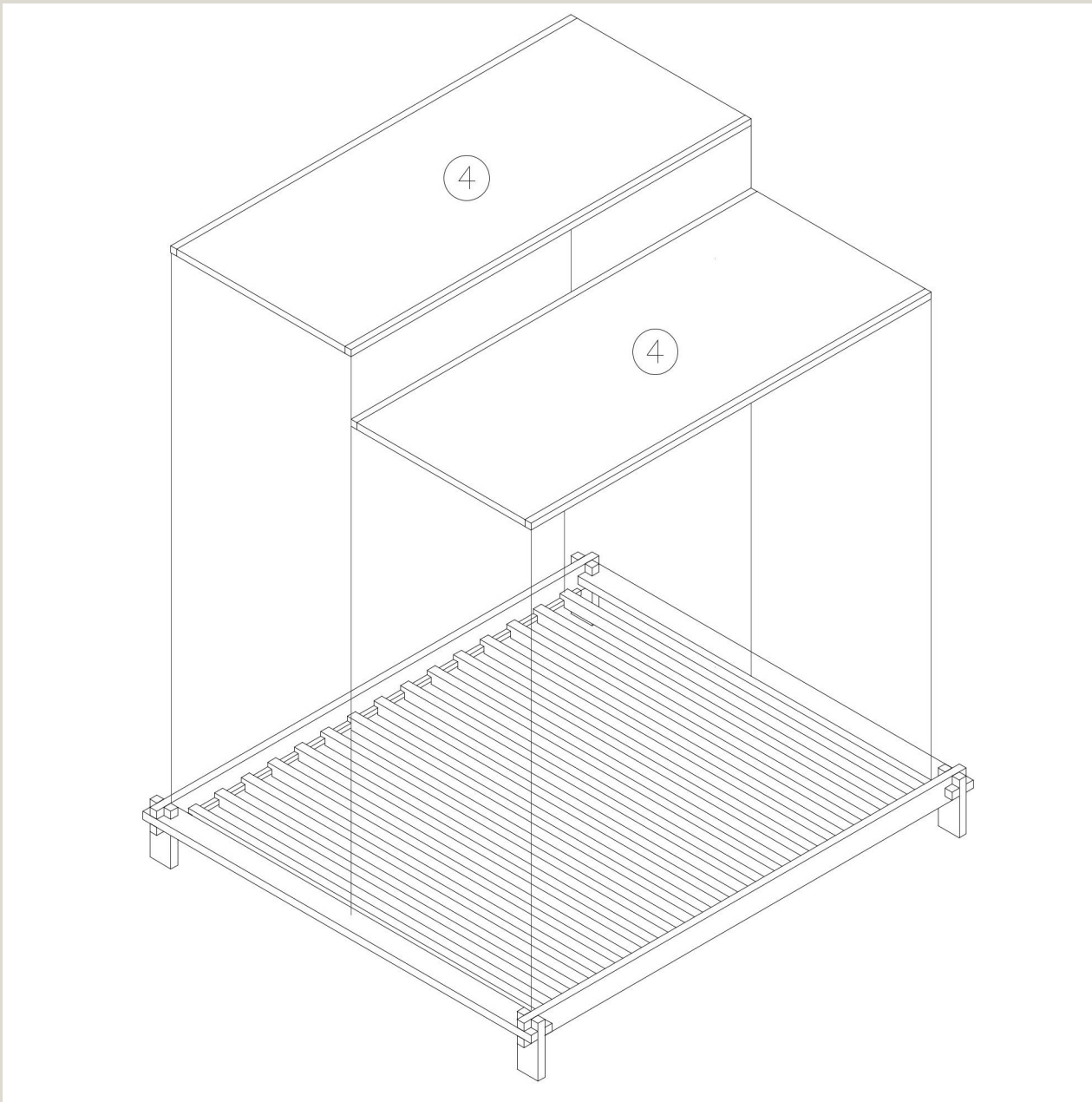


Boiserie Riva srl
00199 Roma - Via Nemorense 37/c
Tel. +39068845 253- P.IVA e C.F 05 229581003
info@riva.it - <https://www.riva.it>

Showroom
20159 Milano - Via L. Porro Lambertenghi 18
Tel. +39026883199
milano@riva.it

Showroom
00199 Roma - Via Nemorense 37/c
Tel. +39068845 253
roma@riva.it

Fase 3: posizionare i tatami (4) sulle traverse orizzontali (3) all'interno del rettangolo interno del letto



Boiserie Riva srl
00199 Roma - Via Nimorense 37/c
Tel. +39068845 253- P.IVA e C.F 05 229581003
info@riva.it - <https://www.riva.it>

Showroom
20159 Milano - Via L. Porro Lambertenghi 18
Tel. +39026883199
milano@riva.it

Showroom
00199 Roma - Via Nimorense 37/c
Tel. +39068845 253
roma@riva.it